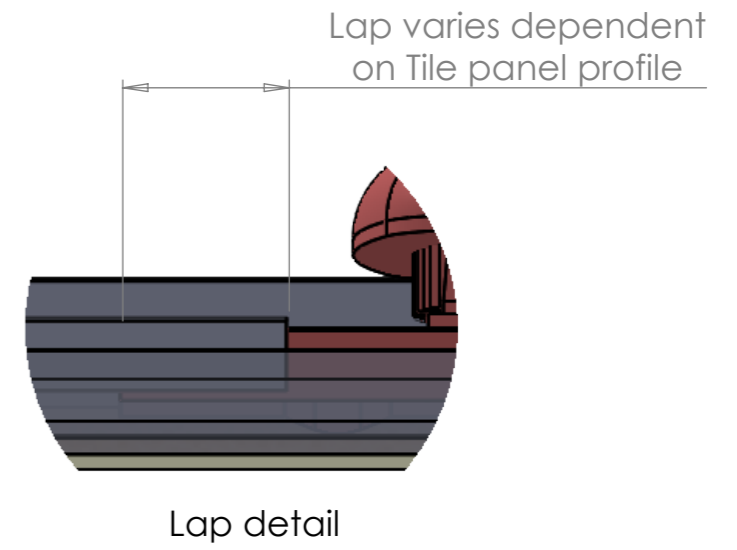
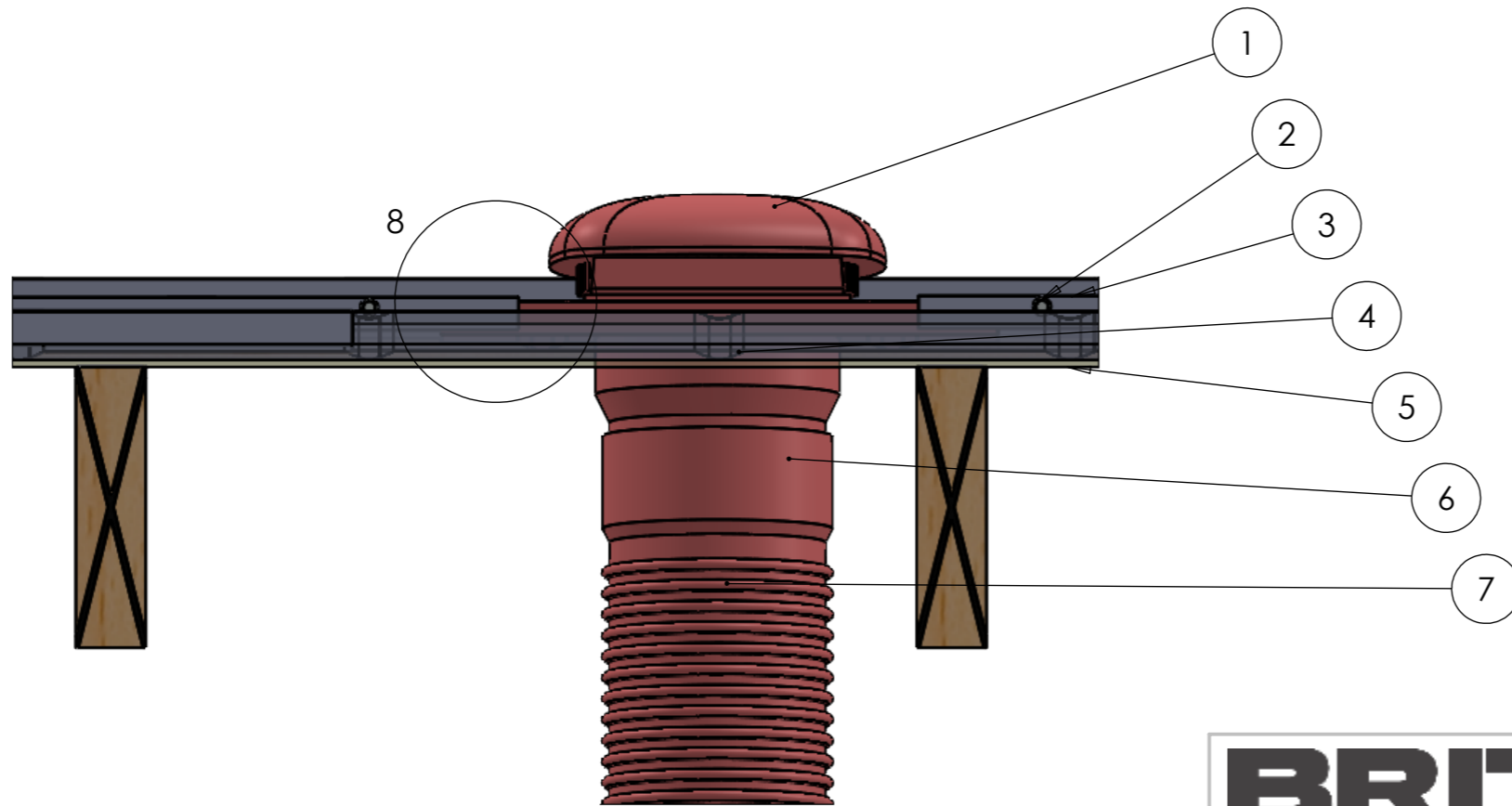
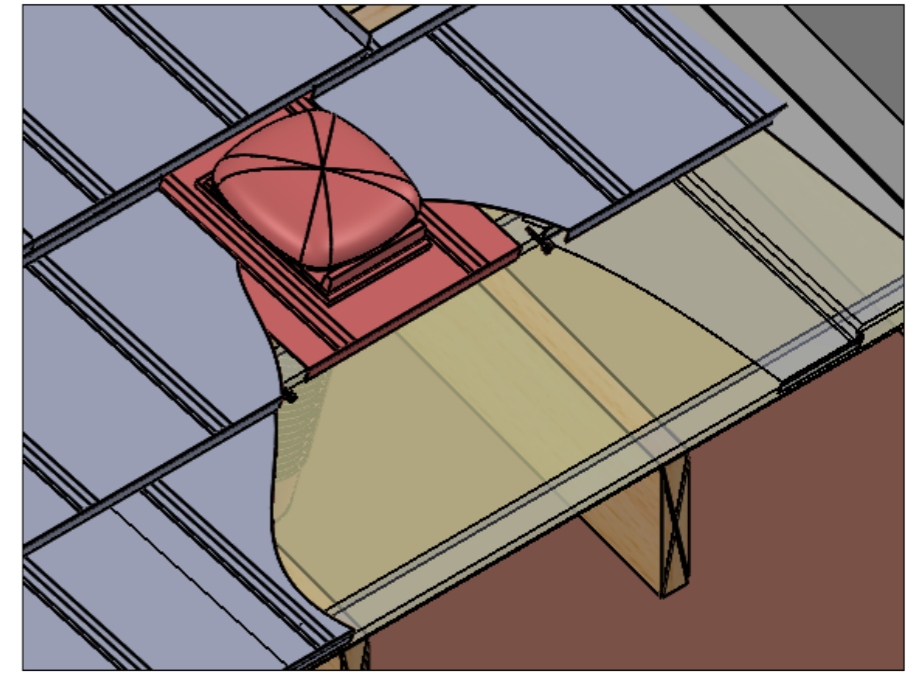


ITEM	DESCRIPTION	DETAIL
1	Tile vent	To match tile profile
2	Nail	50mm
3	Tile panel	Slate 2000 shown
4	Tile batten	50x25mm
5	Membrane	
6	Tile vent adaptor	
7	Flexi-hose	
8	Side lap	



BRITMET
 LIGHTWEIGHT ROOFING
 Britmet Tileform Ltd
 Kingfisher House, Unit 17
 Overthorpe Road, Banbury, OX16 4SX

NAME	DATE	MATERIAL:
DRAWN		
CHK'D		

DO NOT SCALE DRAWING	REVISION
TITLE: Tile panel 0.45 Typ. Tile vent detail	
DWG NO. P45-Tile-001-A	
SCALE:DNS	SHEET 1 OF 1

A3